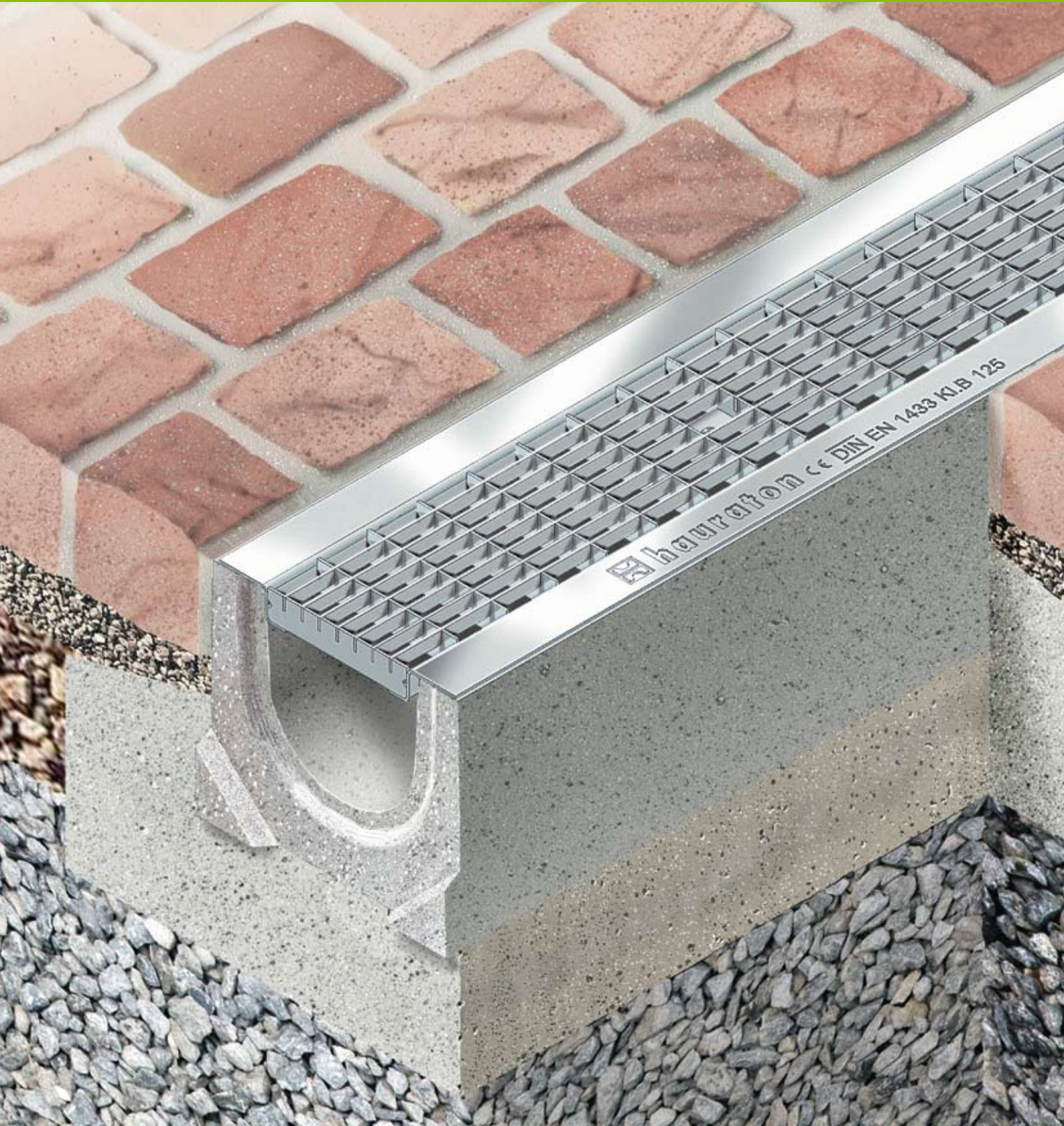


FASERFIX® STANDARD

RELIABLE DRAINAGE.

FOR USE IN PEDESTRIAN AND DOMESTIC AREAS.



AT A GLANCE

- ✓ FASERFIX STANDARD E 100 channels in acc. with DIN EN 1433
- ✓ Easy to install
- ✓ For domestic and commercial areas up to load class C250
- ✓ With and without built-in fall
- ✓ Resistant to frost and salt



FASERFIX® STANDARD

RELIABLE DRAINAGE.

FOR USE IN PEDESTRIAN AND DOMESTIC AREAS.

REQUIREMENTS

For fast and reliable surface water drainage in domestic situations, yards, gardens and landscaping. The channels should also be suitable for installation by householders and meet the requirements of loading capacities A - C in accordance with DIN EN 1433.

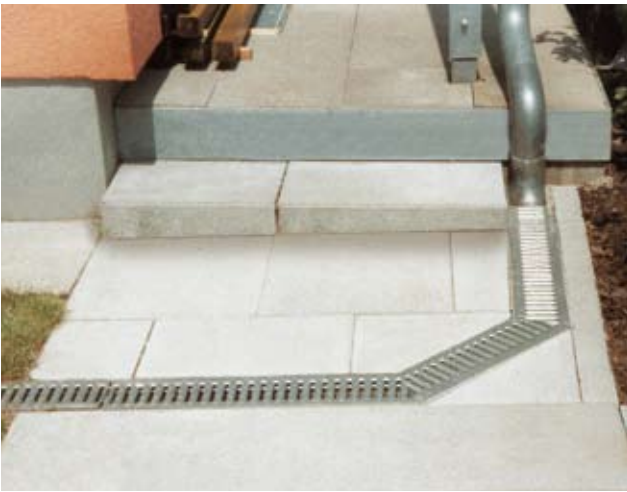
SOLUTION

FASERFIX STANDARD channels made of fibre-reinforced concrete are an economic alternative to the well-known FASERFIX SUPER channels. In combination with the GUGI ductile iron mesh gratings, FASERFIX STANDARD channels 100 E meet the requirements of load class C 250 in accordance with DIN EN 1433. The channels are resistant to frost and road salt.



APPLICATION AREAS

Primarily domestic areas such as garage entrances, yards, terraces, gardens etc. but also public areas such as smaller railway stations.



RECYFIX® PLUS

RECYFIX® STANDARD

SLOTTED CAHNNELS

FASERFIX® STANDARD

RECYFIX® POINT
FASERFIX® POINT

DACHFIX®

RECYFIX® GREEN SUPER

RECYFIX® GREEN STANDARD

RECYFIX® STREIF

LINEFIX®

FASERFIX® STANDARD

RELIABLE DRAINAGE.

FOR USE IN PEDESTRIAN AND DOMESTIC AREAS.

FASERFIX STANDARD E 100 channels meet the requirements of DIN EN 1433 and are suitable for the following loading capacities:



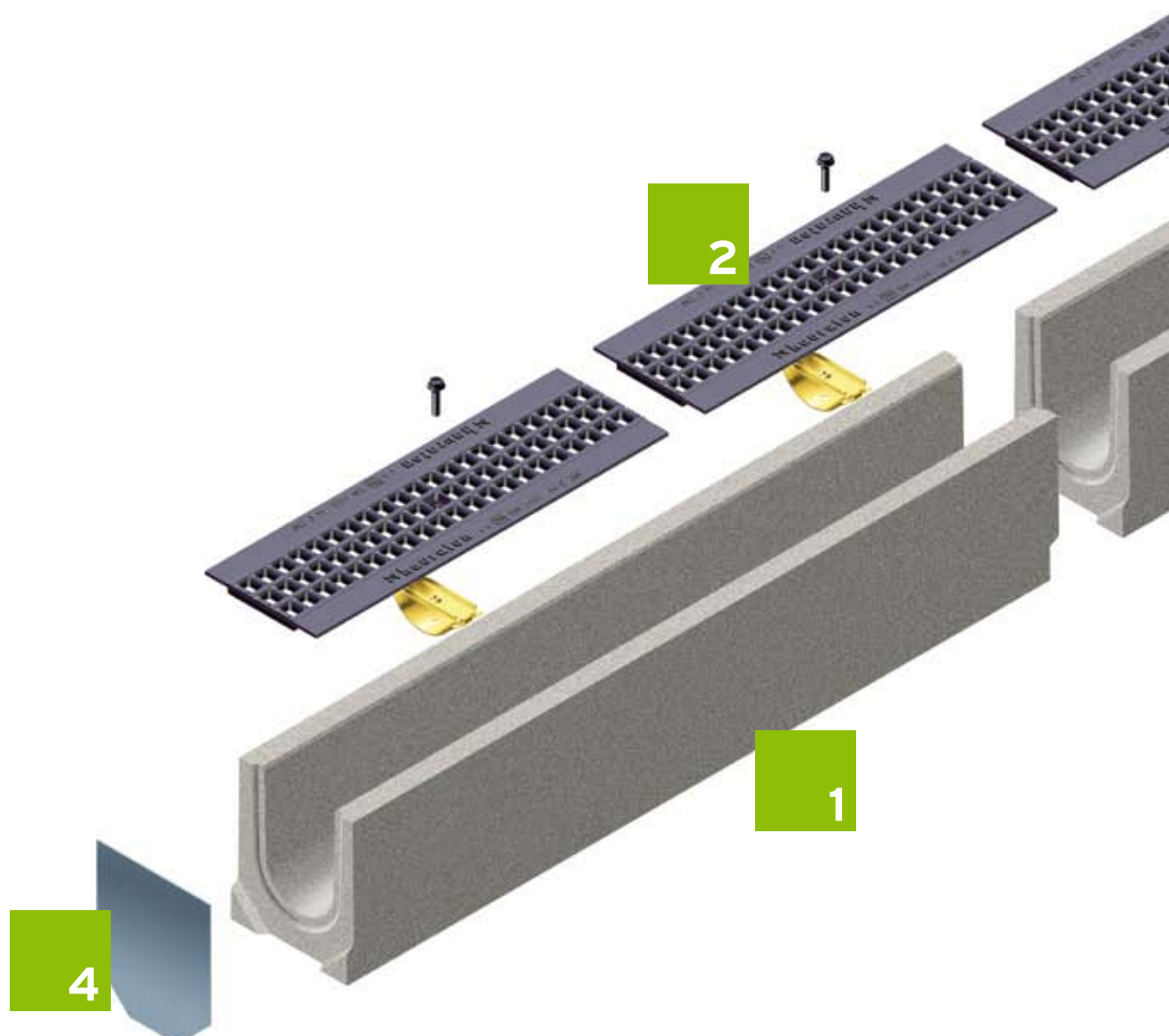
**CATEGORY A 15,
LOAD CLASS 15 KN**

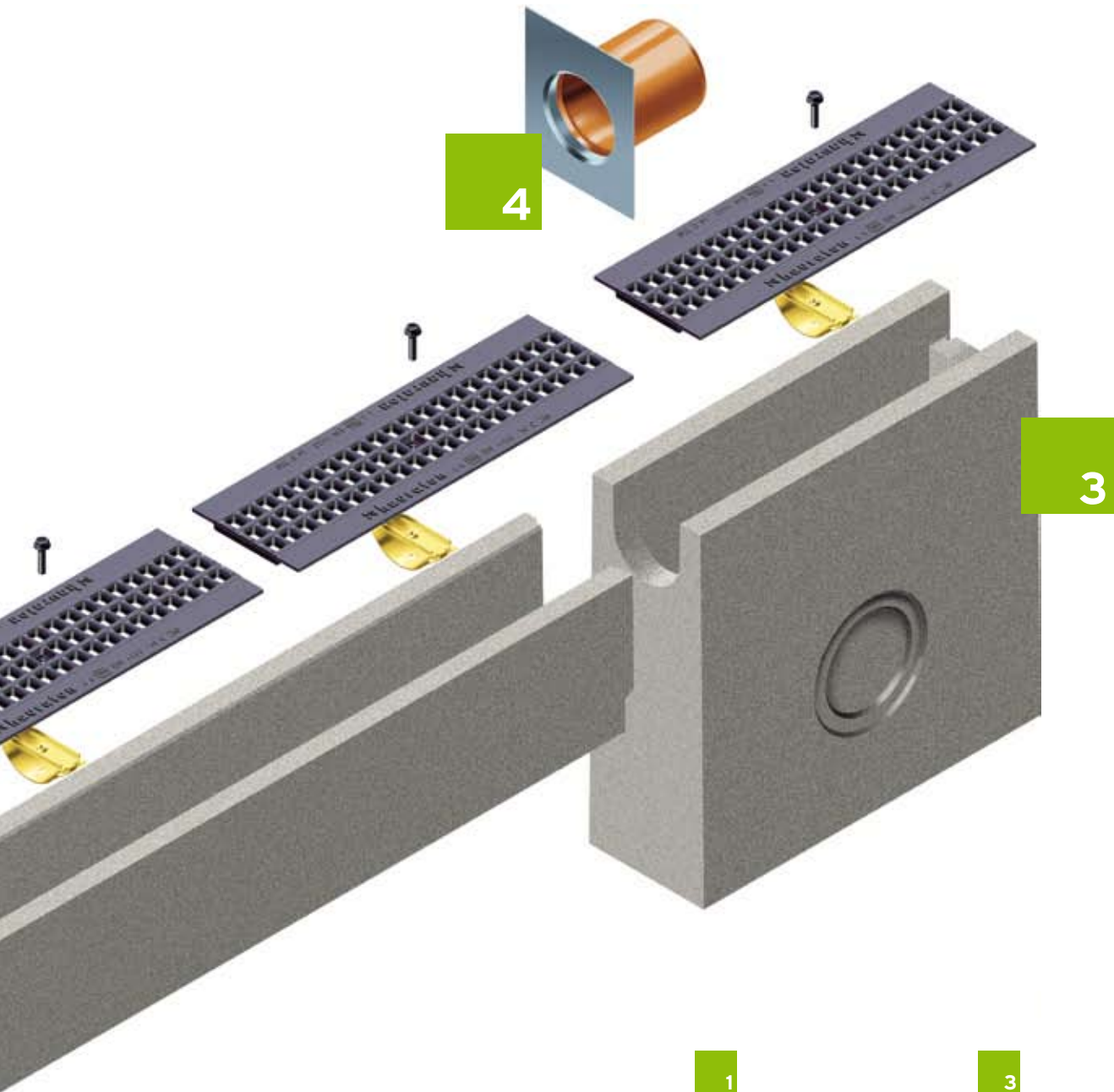


**CATEGORY B 125,
LOAD CLASS 125 KN**



**CATEGORY C 250,
LOAD CLASS 250 KN**





1

■ Channels made of fibre reinforced concrete, according DIN V 19580 / EN 1433, CE-conform with safety joint, with groove and tongue for exact installation

2

■ numerous grating options, for example GUGI-Ductile iron mesh gratings, with fixing possibility

3

■ Trash box with pipe-connection possibilities, with removable mud bucket

4

■ End caps with and without outlets

RECYFIX® PLUS

RECYFIX® STANDARD

SLOTTED CHANNELS

FASERFIX® STANDARD

RECYFIX® POINT
FASERFIX® POINT

DACHFIX®

RECYFIX® GREEN SUPER

RECYFIX® GREEN STANDARD

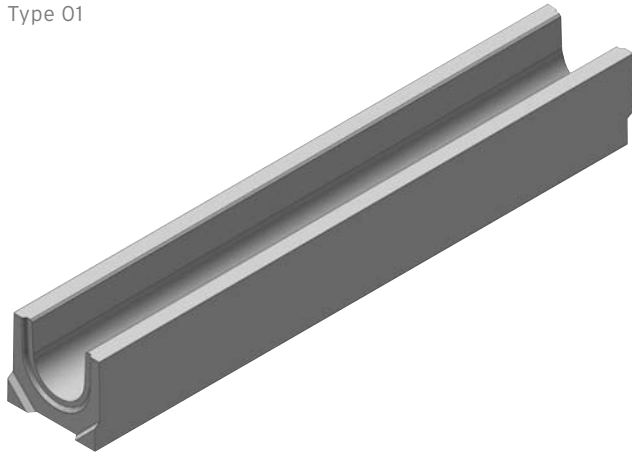
RECYFIX® STREIF

LINEFIX®

FASERFIX® STANDARD E 100

FASERFIX® STANDARD E 100 - Channel lower parts

Type 01



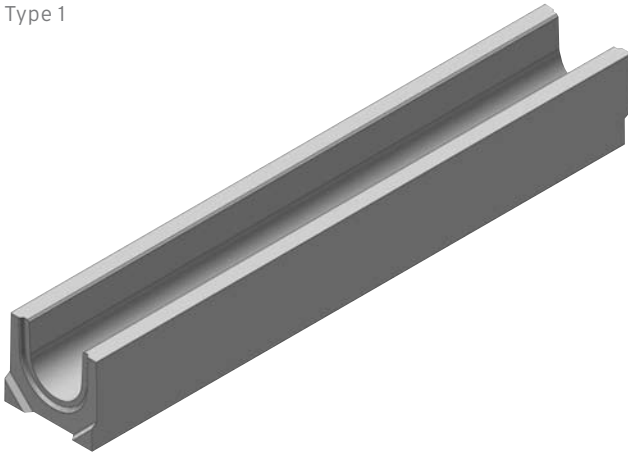
	Length mm	Width mm	Height mm	Drainage cross- sect. cm ²	Weight kg	Article No.
Type 01	1000	160	140	89	31,5	6200
Type 01L with hole*	1000	160	140	89	31,2	6300
Type 010	1000	160	194	143	39,8	6242
Type 010L with hole*	1000	160	194	143	39,4	6342
Type 0105	500	160	140	89	15,8	6249

* Distance from middle of the hole (DN100) to the end of the channel: 100 mm.

FASERFIX®STANDARD E 100

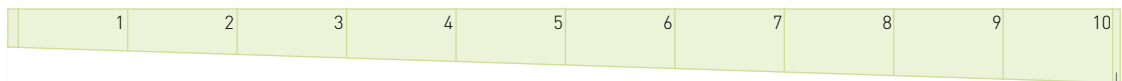
FASERFIX®STANDARD E 100 - Channel lower parts built-in fall 0,6 %

Type 1



	Length mm	Width mm	Height mm	Drainage cross- sect. cm ²	Weight kg	Article No.
Type 1	1000	160	140 - 146	89	32,2	6201
Type 2	1000	160	146 - 152	95	33,0	6202
Type 3	1000	160	152 - 158	101	33,8	6203
Type 4	1000	160	158 - 164	107	34,5	6204
Type 5	1000	160	164 - 170	113	35,2	6205
Type 6	1000	160	170 - 176	119	36,0	6206
Type 7	1000	160	176 - 182	125	36,8	6207
Type 8	1000	160	182 - 188	131	37,5	6208
Type 9	1000	160	188 - 194	137	38,2	6209
Type 10	1000	160	194 - 200	143	39,0	6210

End cap
Type 01



End cap Type 01
with horizontal outlet

Type	1	2	3	4	5	6	7	8	9	10
Height mm	140-146	146-152	152-158	158-164	164-170	170-176	176-182	182-188	188-194	194-200
Drainage cross- sect. cm ²	89	95	101	107	113	119	125	131	137	143
Weight KG	32,25	33,0	33,75	34,5	35,25	36,0	36,75	37,5	38,25	39,0

RECYFIX®
PLUS

RECYFIX®
STANDARD

SLOTTED
CHANNELS

FASERFIX®
STANDARD

RECYFIX®POINT
FASERFIX®POINT

DACHFIX®

RECYFIX®
GREEN SUPER

RECYFIX®
GREEN STANDARD

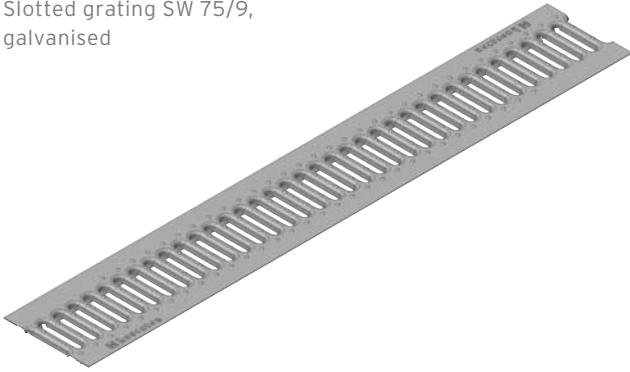
RECYFIX®
STREIF

LINEFIX®

FASERFIX® STANDARD E 100

FASERFIX® STANDARD E 100 - Gratings, car traffic

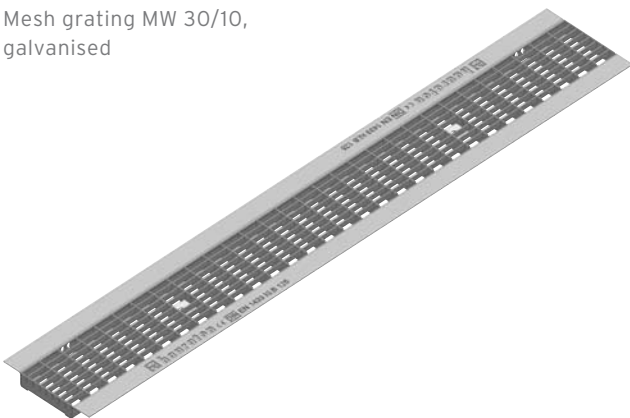
Slotted grating SW 75/9,
galvanised



	Length mm	Width mm	Height mm	Intake cross- sect. cm ² /m	Weight kg	Article No.
Slotted grating SW 75/9, galvanised	1000	158	21	280	2,4	6270
Slotted grating SW 75/9, galvanised	500	158	21	280	1,2	6271

FASERFIX® STANDARD E 100 - Gratings, class B 125

Mesh grating MW 30/10,
galvanised



	Length mm	Width mm	Height mm	Intake cross- sect. cm ² /m	Weight kg	Article No.
Mesh grating MW 30/10, galvanised	1000	158	20	650	3,6	6280
Mesh grating MW 30/10, galvanised	500	158	20	650	1,8	6281

FASERFIX® STANDARD E 100

FASERFIX® STANDARD E 100 - Gratings, class C 250

GUGI-Ductile iron mesh
grating MW 20/30, black



	Length mm	Width mm	Height mm	Intake cross- sect. cm ² /m	Weight kg	Article No.
GUGI-Ductile iron mesh grating MW 20/30, black	500	158	14	444	3,3	6267

We recommend to fix the GUGI-Ductile iron mesh gratings with the locking handle art.-no. 6267 roadworthy.

RECYFIX®
PLUS

RECYFIX®
STANDARD

SLOTTED
CHANNELS

FASERFIX®
STANDARD

RECYFIX®POINT
FASERFIX®POINT

DACHFIX®

RECYFIX®
GREEN SUPER

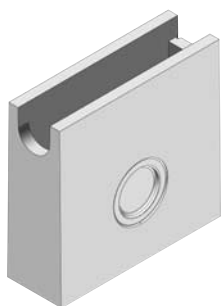
RECYFIX®
GREEN STANDARD

RECYFIX®
STREIF

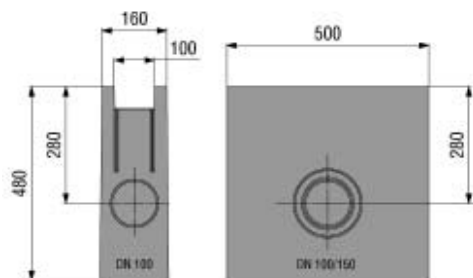
LINEFIX®

FASERFIX® STANDARD E 100

FASERFIX® STANDARD E 100 - Accessories



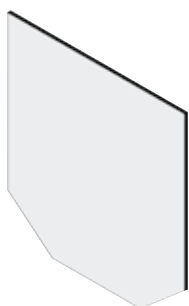
Trash box with plastic bucket



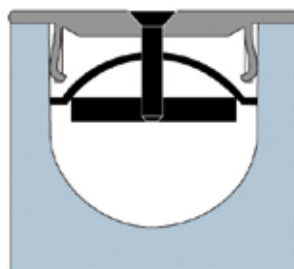
Foul air trap DN 100 with hole



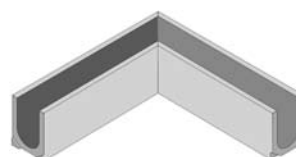
UPVC-outlet DN 100



End cap closed, galvanised, Type 01



Locking handle for ductile iron gratings



Mitre cuts of NW 100 (two cuts per connection)



Inserting of PVC union connectors DN 100

	Length mm	Width mm	Height mm	Weight kg	Article No.
Trash box with plastic bucket	500	160	480	41,4	6253
Trash box with galvanised bucket	500	160	480	42,4	6255
Foul air trap DN 100 with hole	-	-	100	0,2	964
UPVC-outlet DN 100	-	-	-	0,2	903
End cap closed, galvanised, Type 01	-	160	140	0,3	6290
End cap closed, galvanised, Type 010	-	160	194	0,4	6291
End cap with horizontal PVC-outlet DN 100, galvanised, Type 010	-	160	194	0,5	6297
Locking handle for ductile iron gratings	-	-	-	0,1	5095
Locking handle for all slotted gratings	-	-	-	0,1	5090
Cutting to length of NW 100	-	-	-	-	994
Mitre cuts of NW 100 (two cuts per connection)	-	-	-	-	999
Drilling of connecting holes DN 100	-	-	-	-	977
Inserting of PVC union connectors DN 100	-	-	-	-	987